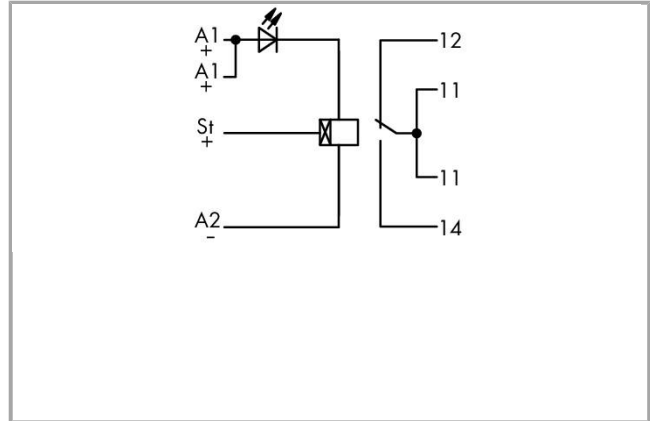


Data sheet | Item number: 286-640/004-000

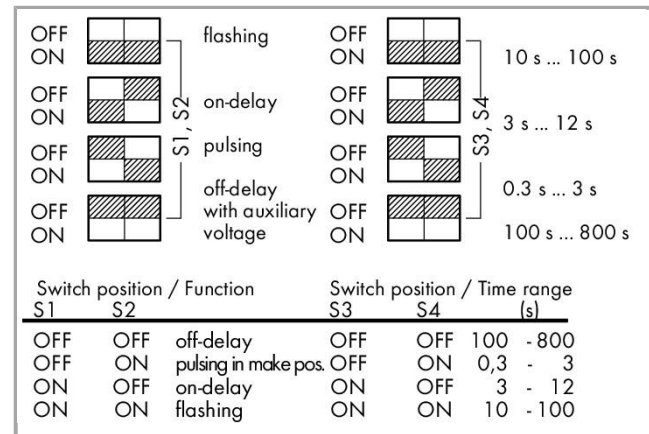
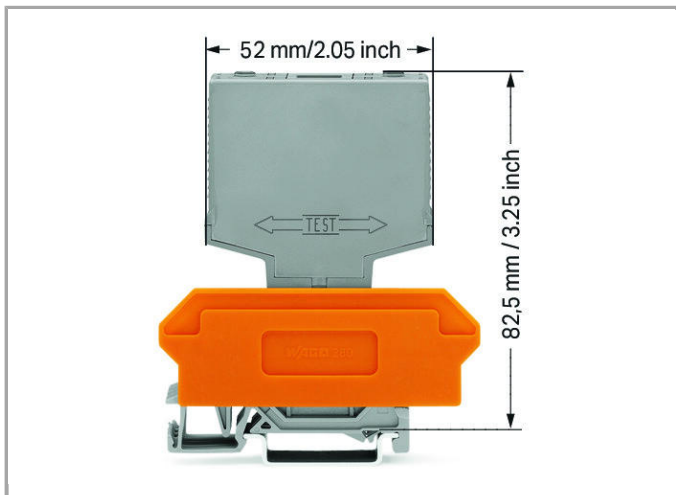
Multifunction timing relay module; Relay with 1 changeover contact (1u); 4 time ranges; for railway operations; 4 functions



RoHS Compliant

[BOMcheck.net](https://www.bomcheck.net)

Color: ■



Item description

Fine adjustment of time within these time ranges can be made with the trimming potentiometer.

St+ will only be connected for the function „off-delay“ with auxiliary voltage.

Data

Technical Data

Control circuit

Nominal input voltage U_N	DC 24 V
Input voltage range	-30 ... +25 %
Nominal input current at U_N	24 mA
Time range	0.3 ... 3 s; 3 ... 12 s; 10 ... 100 s; 100 ... 800 s
Reset time	100 ms
Repeat accuracy	1 %

Load circuit:

Number of changeover/switchover contacts	1
Contact material (relay)	AgNi + Au
Limiting continuous current	5 A
Max. make current (resistive)	(AC) 10 A / 4 s
Max. switching voltage	AC 250 V
Max. switching power (resistive)	AC 1,250 VA
Bounce time (typ)	2 ms
Electrical life (N.O.; resistive load; 23 °C)	100 x 10 ³ switching operations
Mechanical life	15 x 10 ⁶ switching operations

Safety and protection:

Rated voltage	250 V
Rated impulse voltage	4 kV
Pollution degree	2
Dielectric strength, control/load circuit (AC, 1 min)	3 kVrms
Protection class	IP20

Geometrical Data

Width	20 mm / 0.787 inch
Height from upper-edge of DIN-35 rail	82.5 mm / 3.25 inch
Depth	52 mm / 2.047 inch

Mechanical data

Type of mounting	Pluggable module for carrier terminal blocks
------------------	--

Material Data

Color	gray
Fire load	0.786 MJ
Weight	34.098 g

Environmental Requirements

Pollution degree	2
Surrounding air (operating) temperature at U_N	-25 ... 70 °C

Standards and specifications

Standards/specifications	EN 60664-1
--------------------------	------------

Commercial data

Product Group	6 (Interface Electronics)
Country of origin	DE
GTIN	4017332310635